

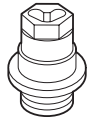


INSTALLATION INSTRUCTIONS

Accessory	Application	Publications No.
ENGINE BLOCK HEATER (V6) P/N 08T44-S5B-100	2006 ACCORD 2 - AND 4 - DOOR	All 30203
		Issue Date
		AUG 2005

PARTS LIST

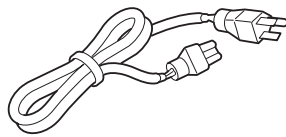
Engine block heater



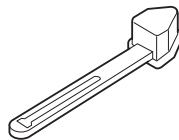
Aluminum washer



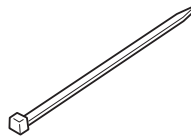
Heater harness



Protective cap



20 Wire ties
(8 Not used)



TOOLS AND SUPPLIES REQUIRED

Phillips screwdriver

Ratchet

24 mm Socket

Torque wrench

Diagonal cutters

Coolant (Honda All Season Antifreeze/Coolant Type 2)

8 mm Allen socket

White marker

Tape measure

NOTE

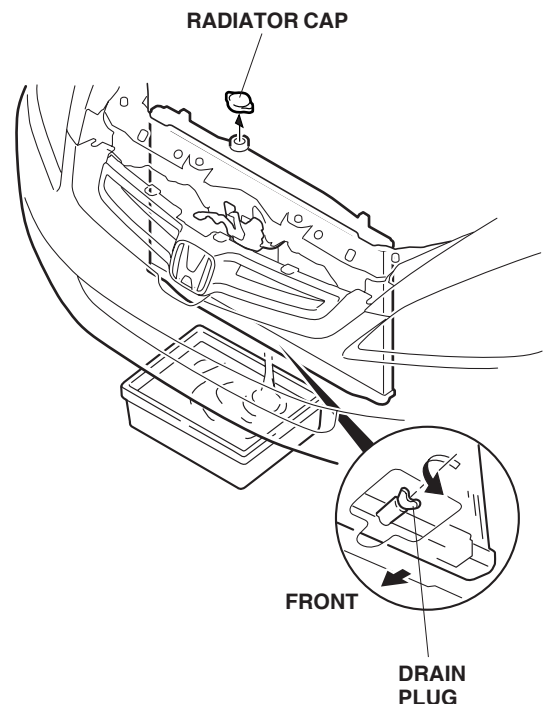
- Always use Honda Antifreeze/Coolant. Using a non-Honda coolant can result in corrosion, causing the cooling system to malfunction or fail.
- To avoid burning out the element, do not operate the engine block heater before it is installed in the vehicle and before you add coolant.

INSTALLATION

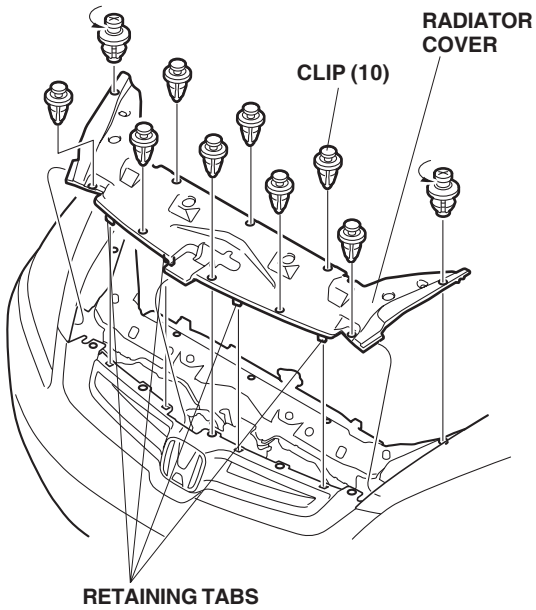
Customer Information: The information in this installation instruction is intended for use only by skilled technicians who have the proper tools, equipment, and training to correctly and safely add equipment to your vehicle. These procedures should not be attempted by "do-it-yourselfers."

1. Allow the engine and all cooling system components to cool down.
2. Place a clean drain pan under the radiator drain plug, then remove the drain plug from the bottom of the radiator to drain the coolant. Remove the radiator cap to increase the flow.

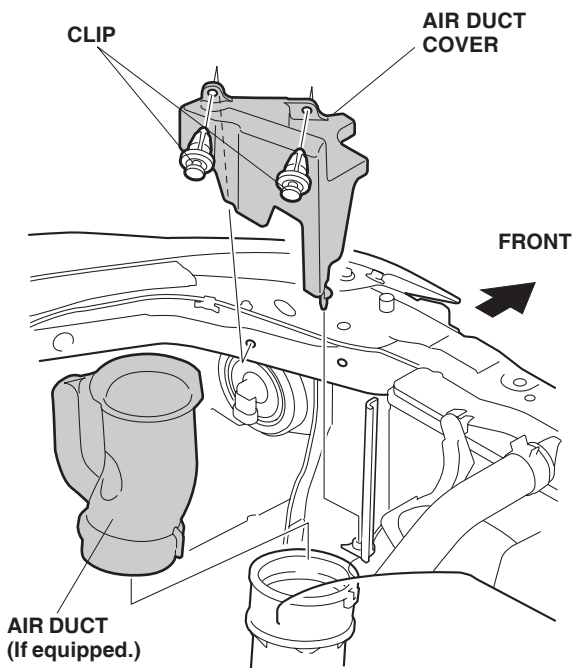
NOTICE Radiator coolant will damage paint. Quickly rinse any spilled coolant from painted surfaces.



- Remove the radiator cover (ten clips and four retaining tabs).

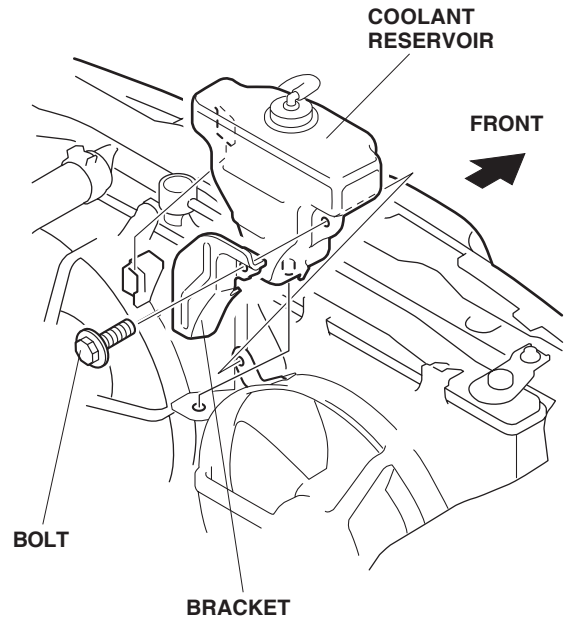


- Remove the air duct cover (two clips).



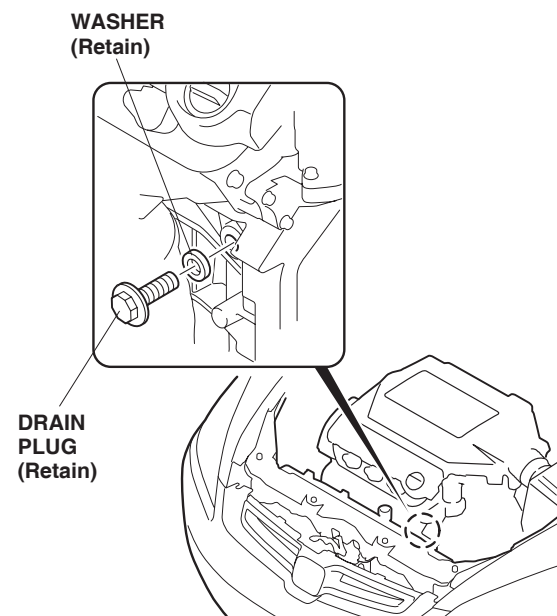
- Remove the air duct (if equipped) by pulling it out toward you.

- Remove the coolant reservoir and coolant reservoir bracket (one bolt).

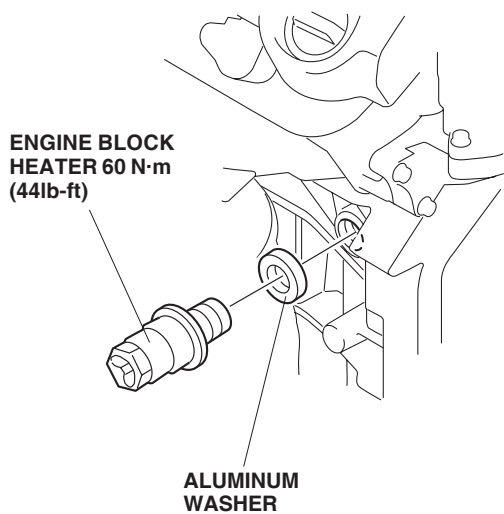


- Remove the drain bolt and washer from left side of the engine block. Coolant remaining in the engine jackets will flow out of the bolt hole when the bolt is removed. Retain the bolt, it will be used if the engine block heater is removed.

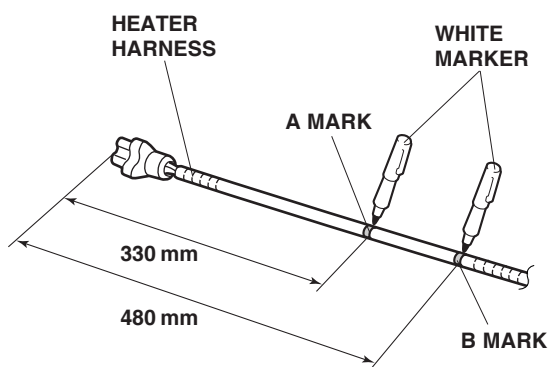
NOTE: Use a new washer if the drain bolt is reinstalled.



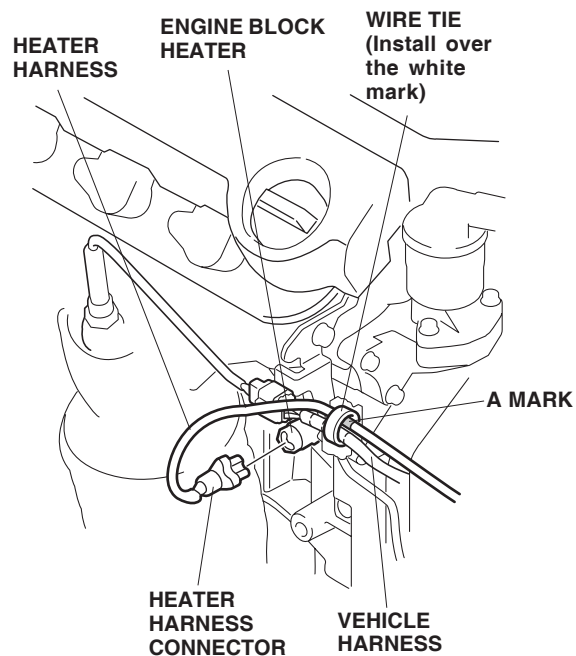
- Install the engine block heater with the aluminum washer into the hole using a 24 mm socket. Torque the engine block heater to 60 N·m (44 lb-ft).



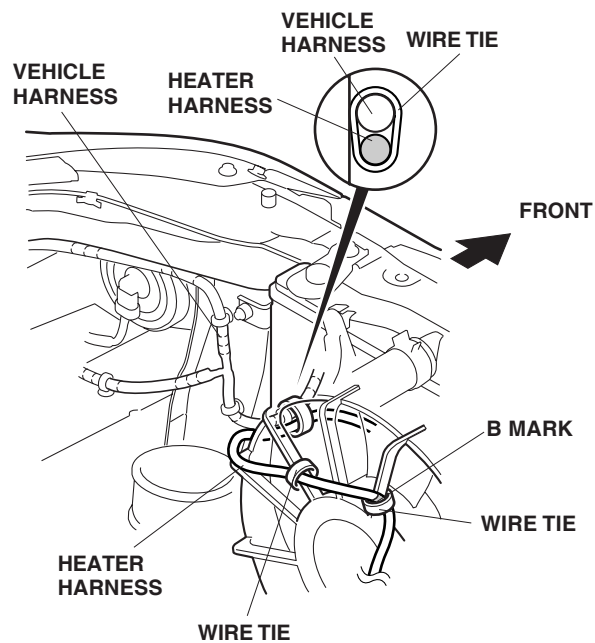
- Using a tape measure and a white marker, measure and mark the heater harness at the A and B points shown.



- Plug the heater harness connector into the engine block heater, and secure the heater harness to the vehicle harness with one wire tie at the A mark.

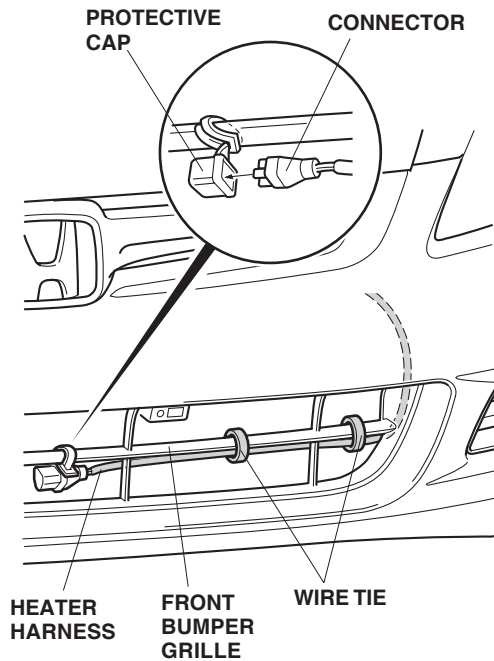


- Route the heater harness as shown, and secure the heater harness to the fan shroud with one wire tie at the B mark.

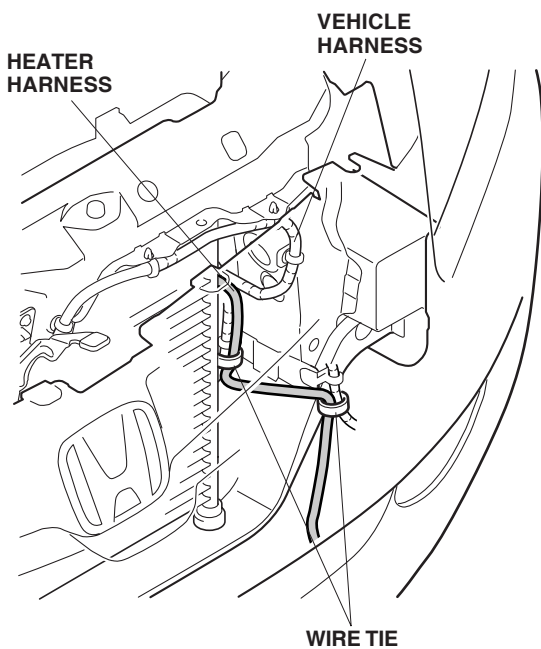


- Secure the heater harness to the fan shroud and vehicle harness with two additional wire ties at the areas shown.

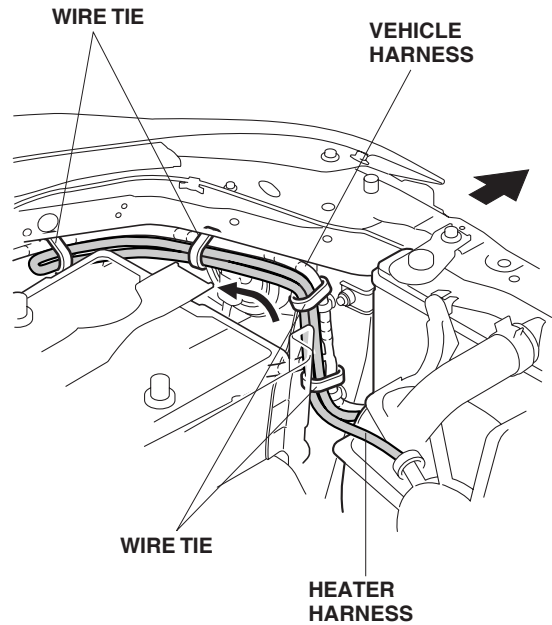
- Continue routing the heater harness along the bumper grille opening, and secure the heater harness to the bumper grille with two wire ties.



- Attach the protective cap to the grille, and plug the connector of the heater harness into the protective cap.
- Secure heater harness to the vehicle harness with two wire ties.



- Fold the excess length of the heater harness, secure the heater harness to the vehicle harness with four wire ties.



- Reinstall the radiator drain plug.
- Fill the system with the recommended coolant. Follow the instructions described in the service manual to fill and bleed the cooling system.
- Check the coolant reservoir for correct level and check the cooling system for signs of leakage. Repair as necessary.
- Check that the heater harness is routed properly and all connectors are plugged in.
- Put the drain plug (removed in step 4) in the glove box.