

**INSTALLATION  
INSTRUCTIONS**

Accessory

**FOG LIGHT  
P/N 08V31-SNA-100**

Application

**2008 CIVIC  
4-DOOR**

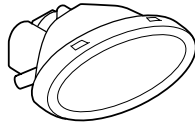
Publications No.

**All 37730**

Issue Date

**AUG 2007****PARTS LIST**

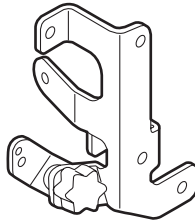
Right fog light



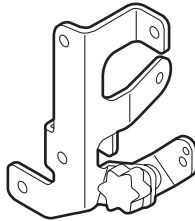
Left fog light



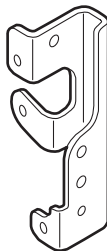
Right bracket A



Left bracket A



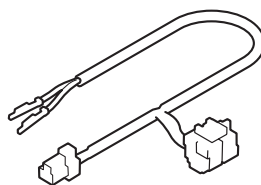
Right bracket B



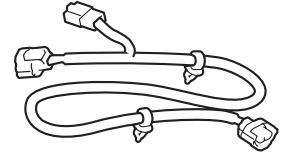
Left bracket B



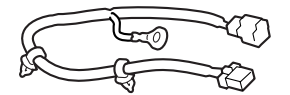
Switch harness



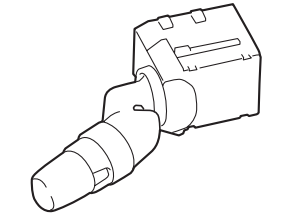
Fog light harness



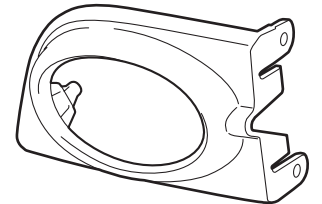
Sub harness



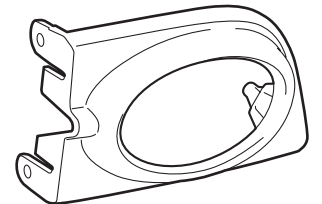
Switch



Right trim



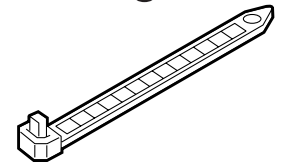
Left trim



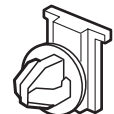
4 Large stepped-screws



6 Wire ties



Clip



4 Small stepped-screws



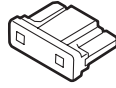
2 Washer-screws, 4 x 8 mm



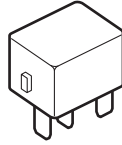
10 Self-tapping screws, 5 x 16 mm



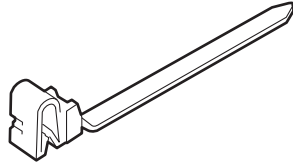
Fuse (20A)



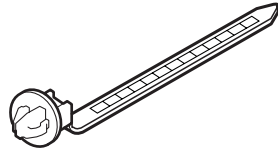
Relay



4 Wire ties with clip A



Wire ties with clip B



## TOOLS AND SUPPLIES REQUIRED

Phillips screwdriver

Flat-tip screwdriver

Ratchet

10 mm Socket

Drill

20 mm Hole saw

Blanket

Pushpin

Utility knife

Gloves

Hacksaw blade

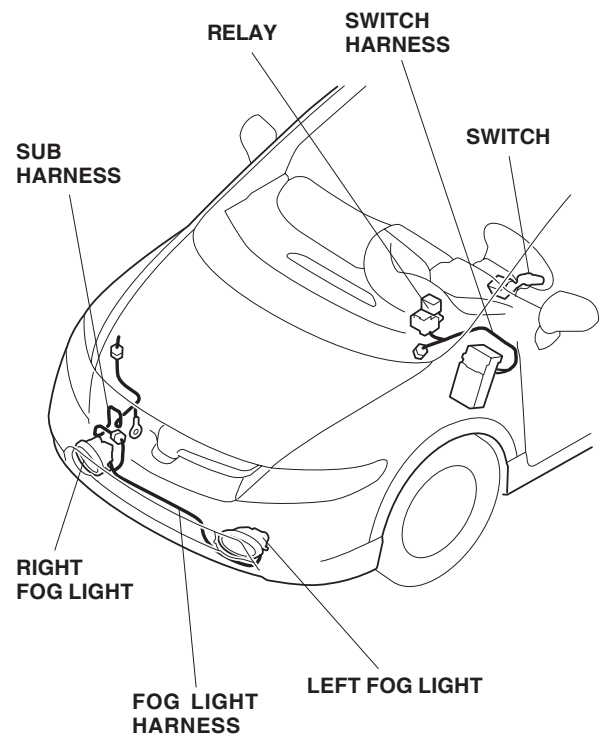
Masking tape

5 mm Hex wrench

Eye protection( face shield, safety goggles, etc.)

File

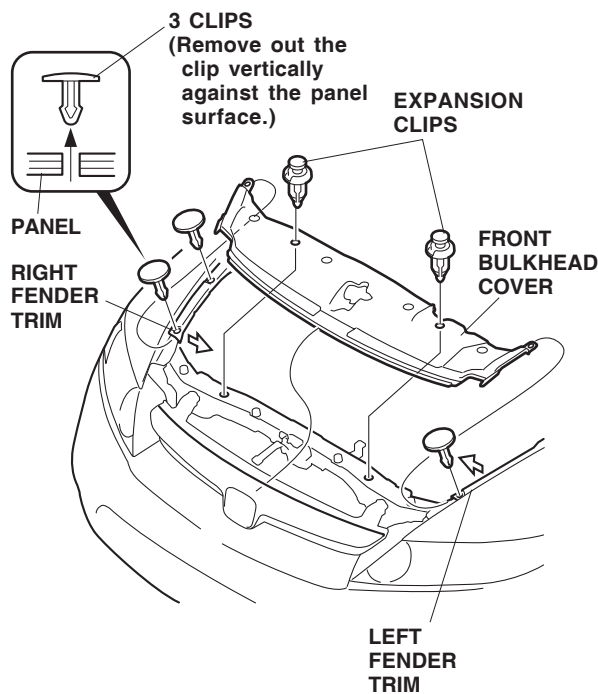
## Illustration of Fog Lights installed on the vehicle



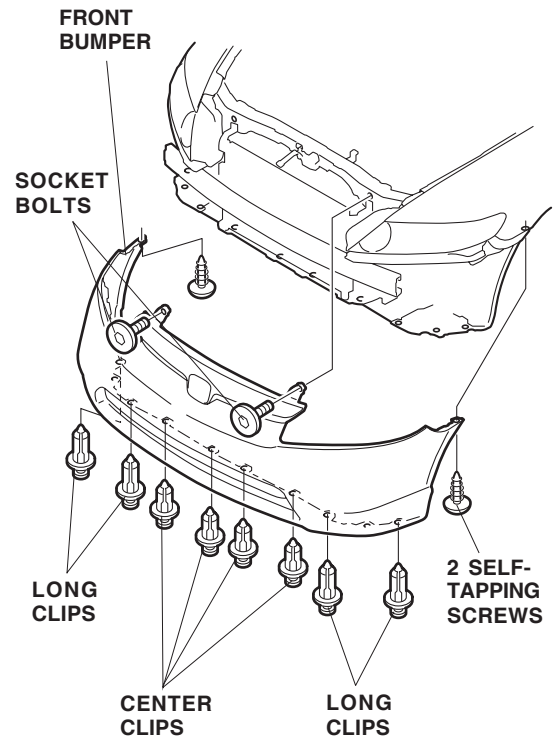
## INSTALLATION

**Customer Information:** The information in this installation instruction is intended for use only by skilled technicians who have the proper tools, equipment, and training to correctly and safely add equipment to your vehicle. These procedures should not be attempted by "do-it-yourselfers."

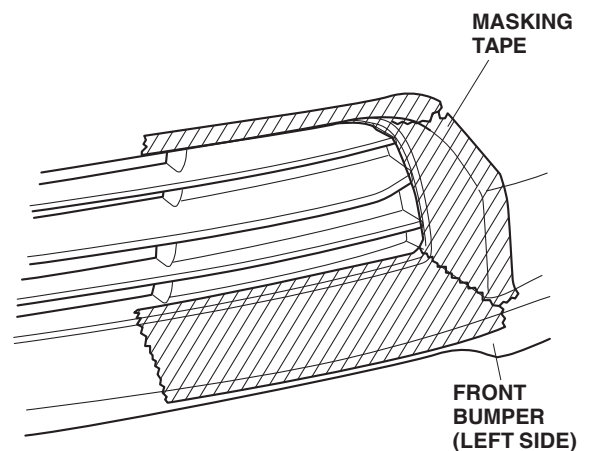
1. Make sure you have the anti-theft code for the radio, then write down the frequencies for the preset buttons.
2. Disconnect the negative cable from the battery.
3. Remove the front bulkhead cover (two expansion clips, three clips, and move the right and left fender trims inward).



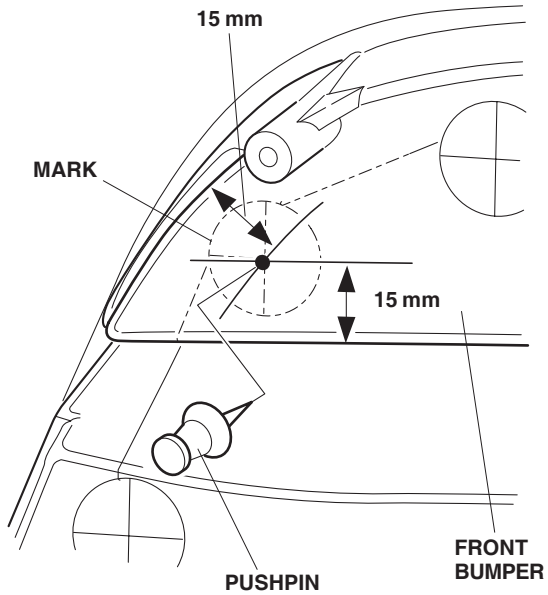
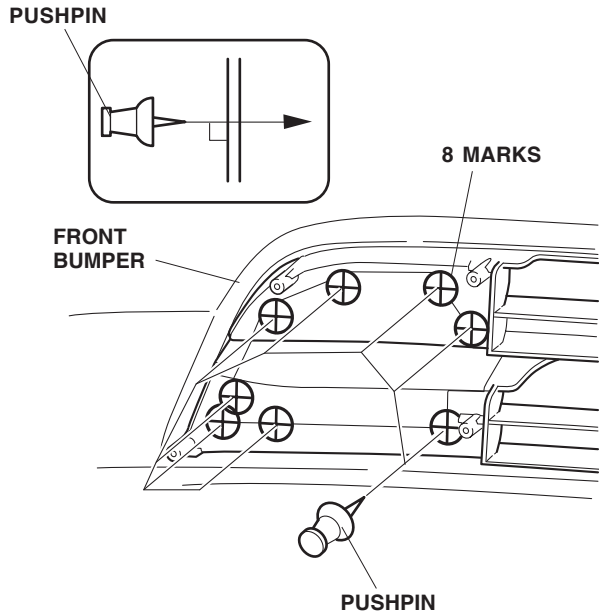
4. With the help of an assistant, remove the front bumper (four long clips, four center clips, two socket bolts and two self-tapping screws). To prevent damage, set the front bumper on a blanket.



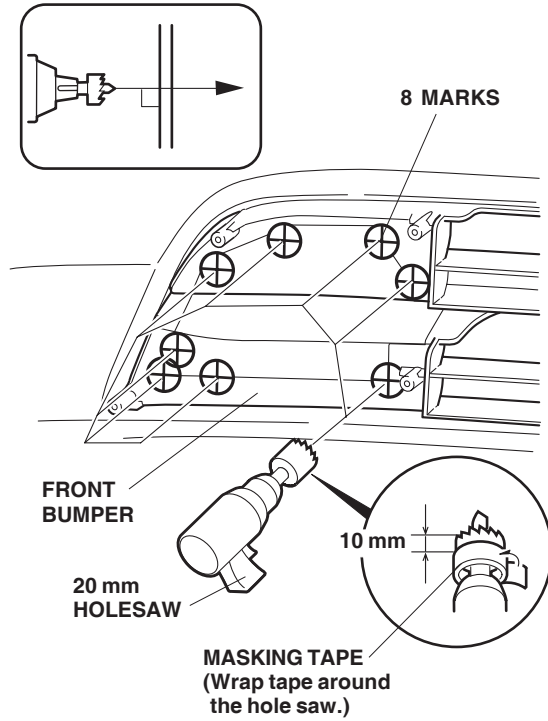
5. Apply masking tape to the front bumper (left side) in the area shown.



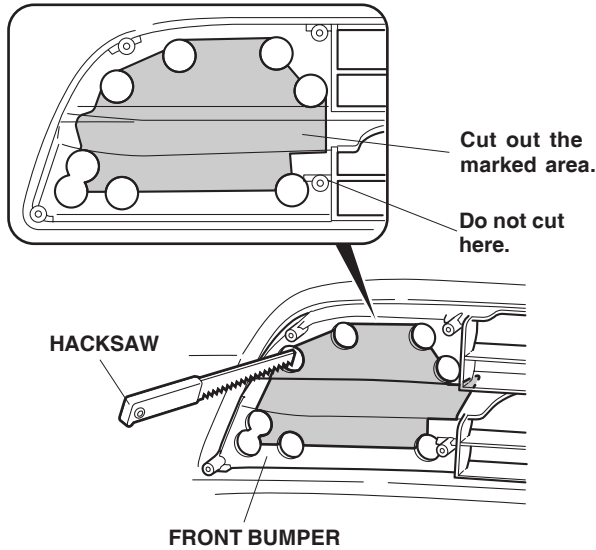
6. On the inside of the front bumper, locate the eight marks on the left side of the bumper. Using a pushpin, pierce the front bumper at each of the eight marks. When the mark at the illustrated position is not visible, measure the dimensions and make a mark on the front bumper with a pushpin as shown in the illustration.



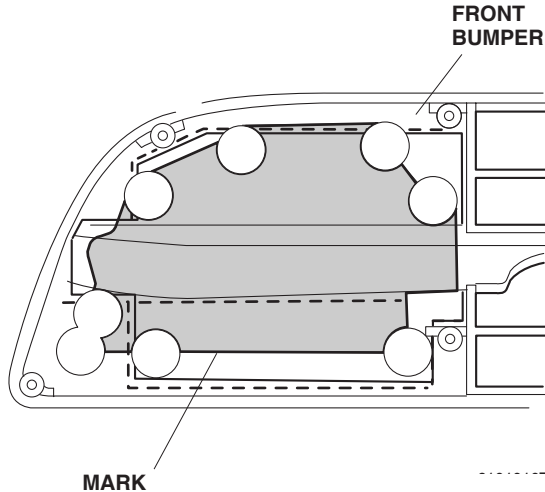
7. While wearing eye protection, drill a 20 mm hole through each of the eight marks of the front bumper with a 20 mm holesaw.



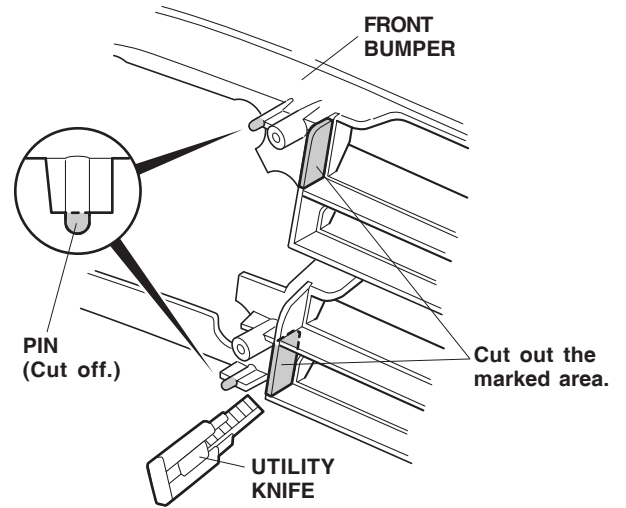
- Using a hacksaw blade, cut out the marked area from the front bumper. Take care not to damage the front bumper. After cutting out the marked area, remove any burrs from the edges of the hole.



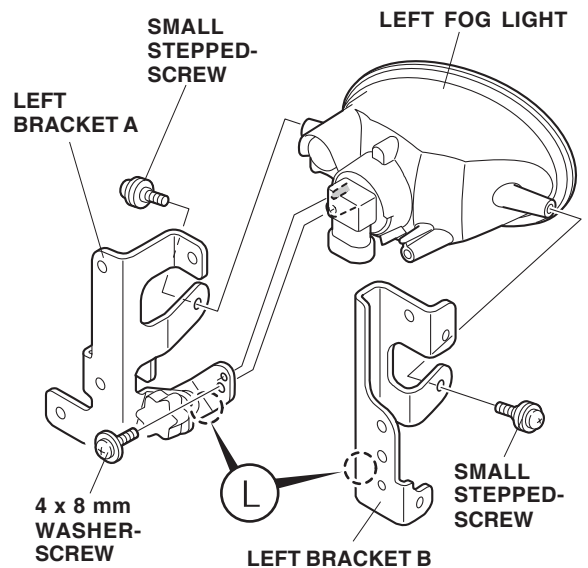
NOTE: If there are additional marks on the front bumper, take care not to confuse those marks with the marks you are to cut on the front bumper.



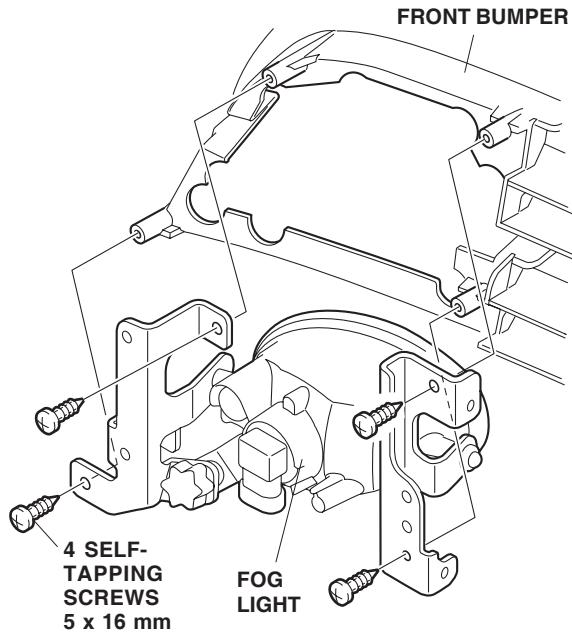
- Using a utility knife, cut out the two pieces of the bumper in the two areas shown. If there are pins on the front bumper, cut them off as shown.



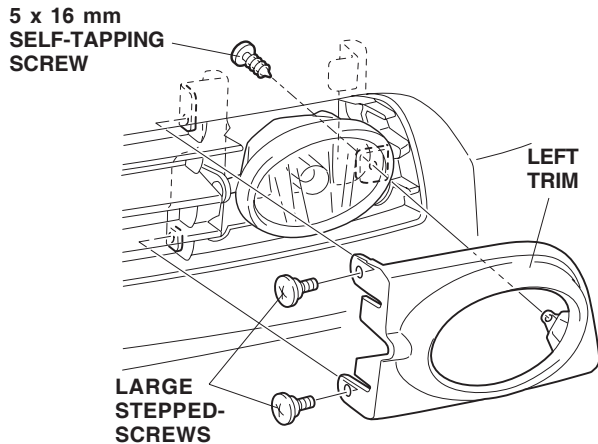
- Repeat steps 5 thru 9 to mark and cut out for the right side of the bumper.
- Position the left bracket A and left bracket B on the left fog light, and install the two small stepped-screws and one 4 x 8 mm washer-screw. Tighten the screws securely. Assemble the right fog light in the same way as left side. Before installing the bracket A and bracket B, check the identification mark: The bracket marked "L" goes on the left side; the bracket marked "R" goes on the right side.



12. Inside the front bumper, slide the fog light into the cutout you made, and secure it with four 5 x 16 mm self-tapping screws.

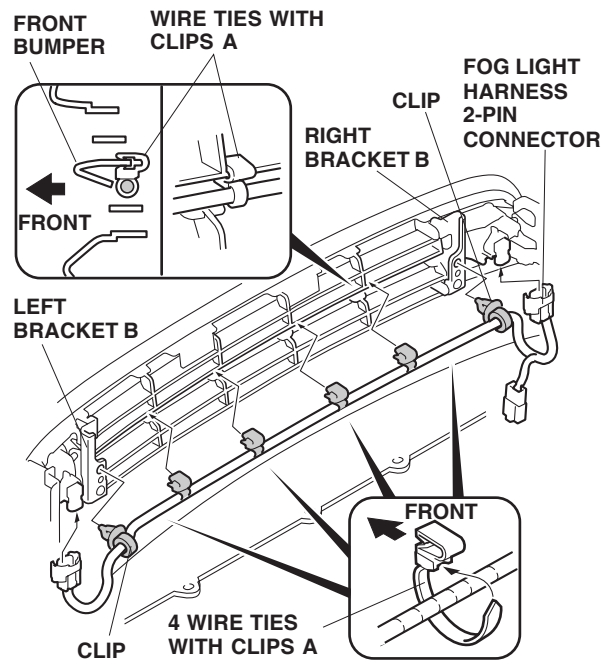


13. Position the left trim on the bumper and install the two large stepped-screws and one 5 x 16 mm self-tapping screw.



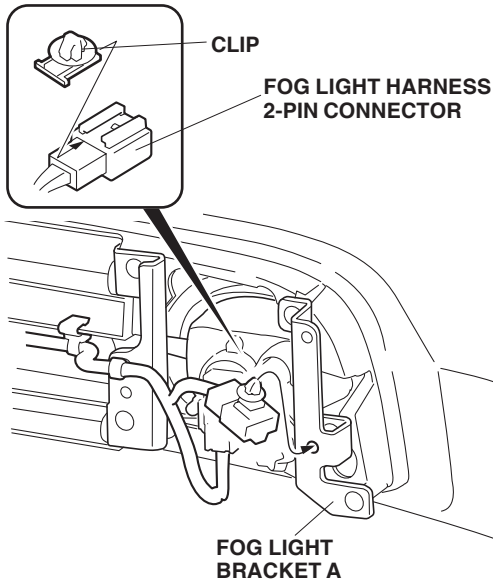
14. Install the right side fog light trim in the same way as left side.

15. Connect the fog light harness 2-pin connector to the left fog light and route the fog light harness along the inner side of the front bumper. Connect the 2-pin connector to the right fog light.

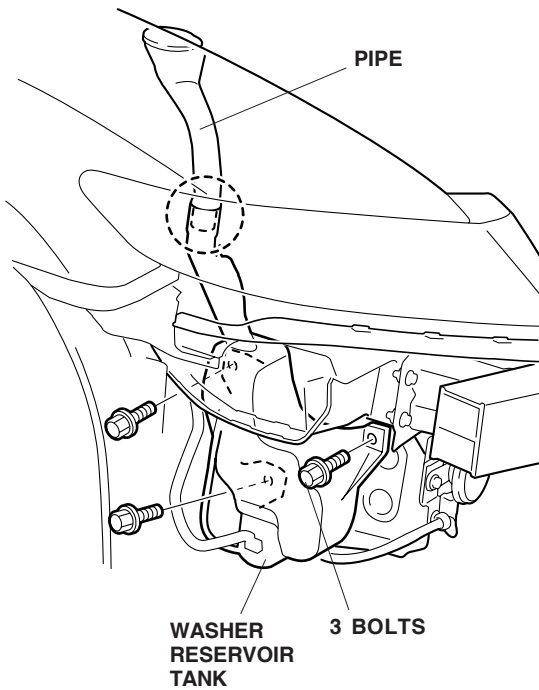


16. Secure the two clips on the fog light harness to the left bracket B and right bracket B respectively.
17. Secure the fog light harness to the front bumper by inserting the four wire ties with clips A into the front bumper opening. Align with the vertical ribs, secure the wire ties with clips A to the bumper.

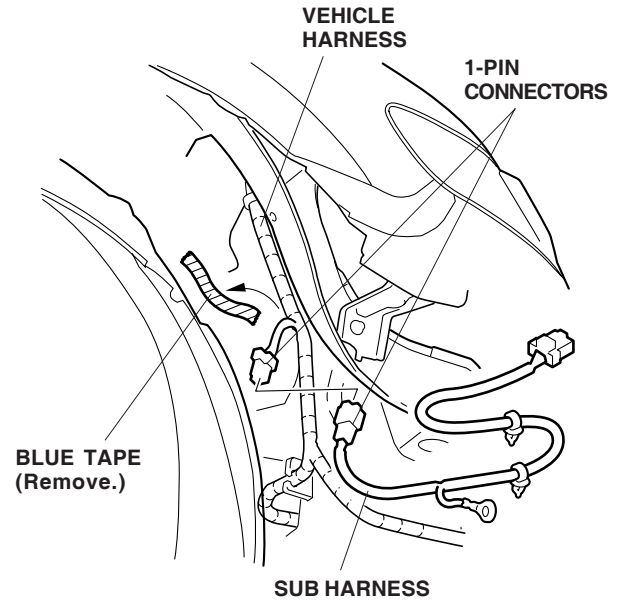
18. Slide the clip onto the fog light harness 2-pin connector and secure it to the fog light bracket A.



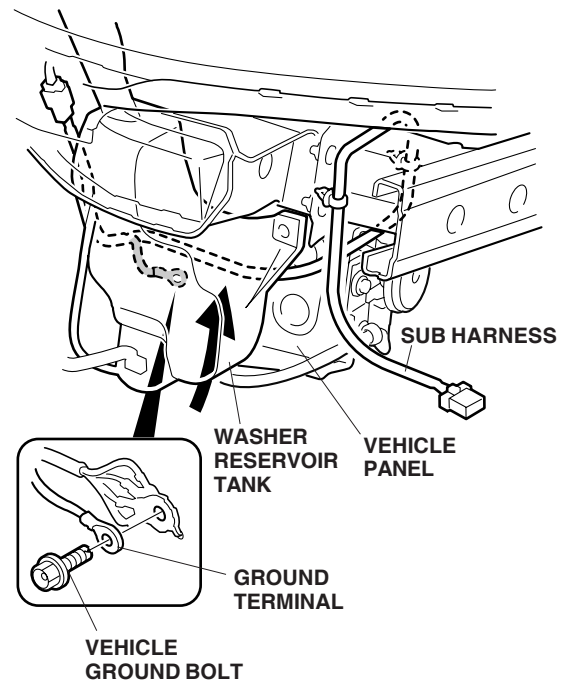
19. Remove three bolts from the washer reservoir tank. Take care not to disconnect the pipe in the engine compartment when you remove the washer reservoir tank.



20. Locate the 1-pin connector blue-taped to the vehicle harness and remove the blue tape to free the 1-pin connector. Plug the 1-pin connector you just freed into the 1-pin connector of the sub harness.



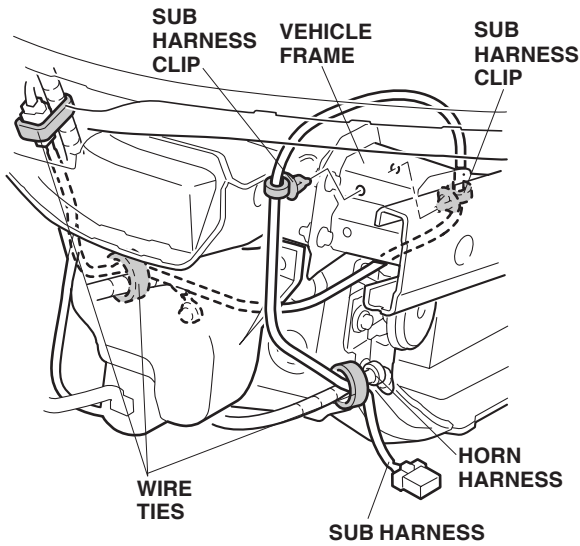
21. Route the sub harness between the washer reservoir tank and vehicle panel as shown.



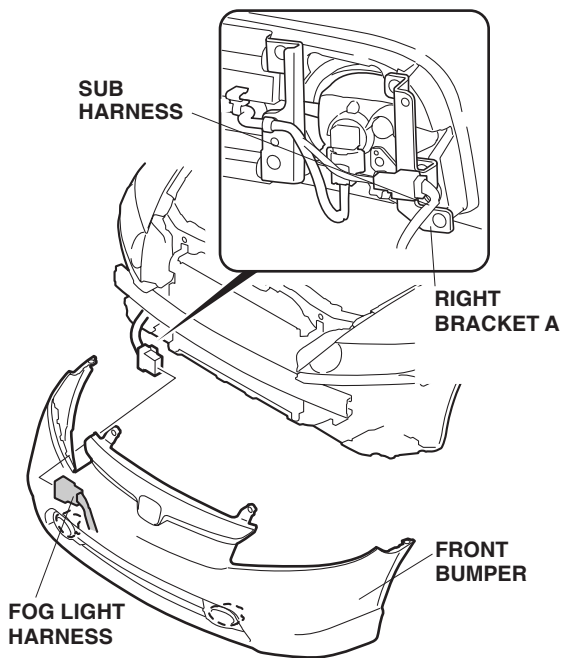
22. Remove the vehicle ground bolt once and tighten it again to ground the sub harness ground terminal as shown.



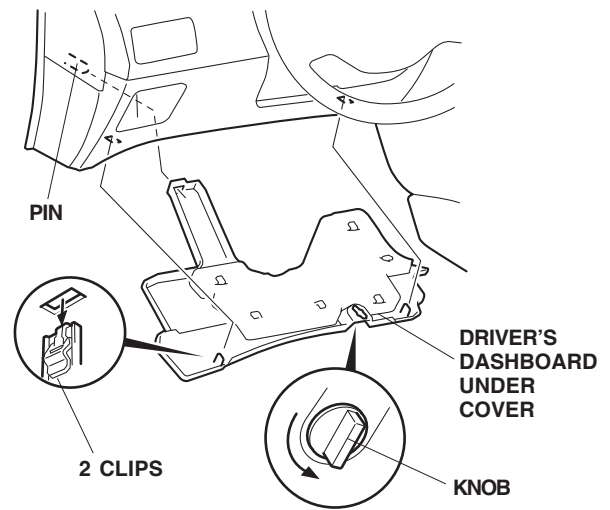
23. Secure the two sub harness clips to the vehicle frame, and secure the sub harness to the vehicle harness using two wire ties.



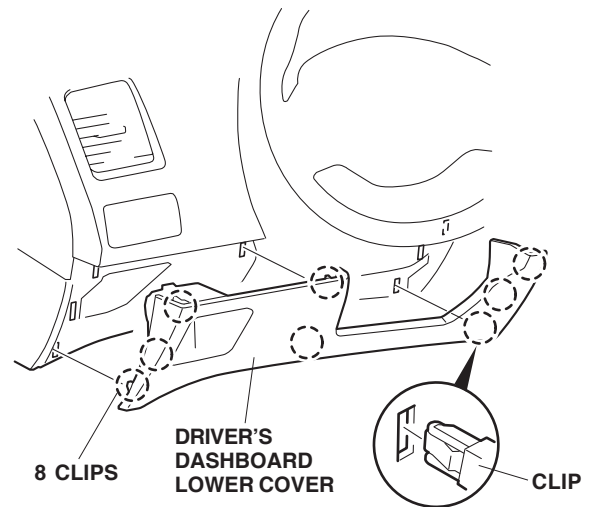
24. Secure the sub harness to the horn harness using a wire tie, and reinstall the washer reservoir tank.
25. Connect the sub harness 2-pin connector to the fog light harness 2-pin connector, then reinstall the front bumper.



26. If equipped, remove the driver's dashboard under cover by turning the knob counterclockwise, and releasing two clips and pin. Take care not to damage the clips.

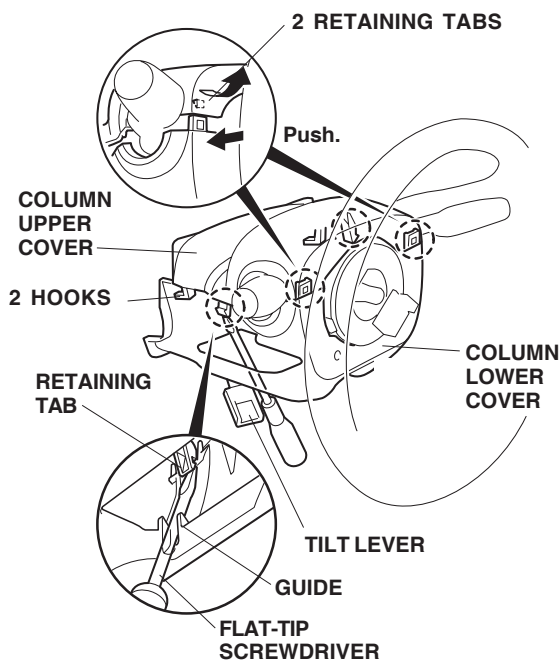


27. Remove the driver's dashboard lower cover. Release the eight retaining clips. Take care not to damage the clips.

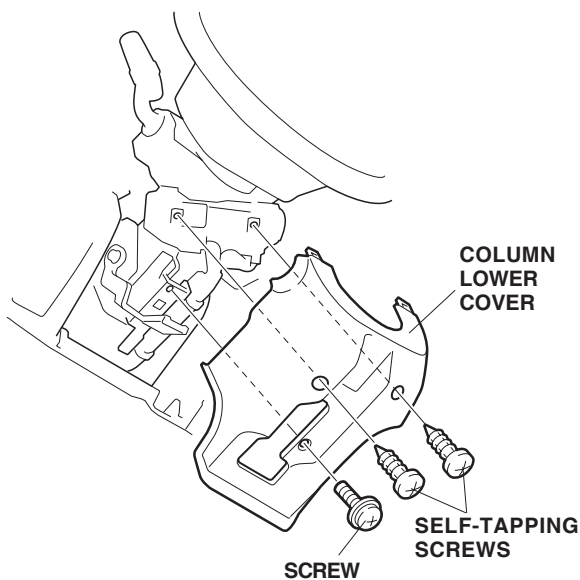




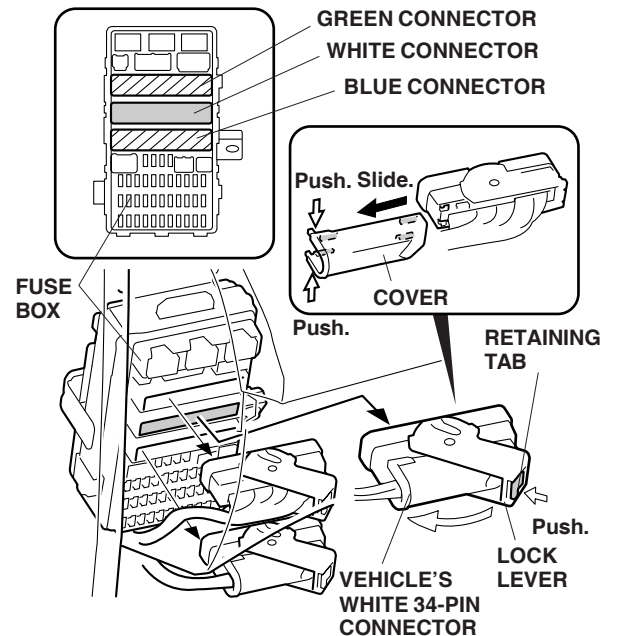
28. Lower the tilt lever, and pull the steering wheel toward you. Insert a flat-tip screwdriver along the guide of the column lower cover, and pry the retaining tab of the column upper cover.



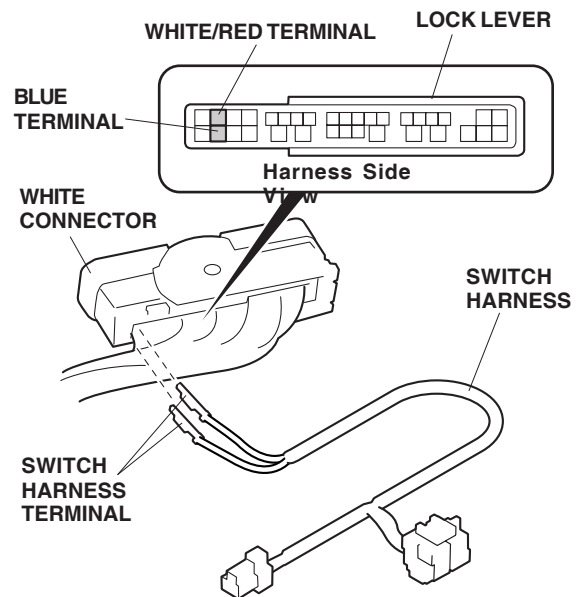
29. Push on the column lower cover in the area shown to separate the column upper cover from the column lower cover (two retaining tabs). Pull up to remove the column upper cover (two hooks).
30. Remove the lower cover (two self-tapping screws and one screw).



31. Remove the vehicle's green 42-pin connector, white 34-pin connector and the blue 21-pin connector from the fuse box by pushing the retaining tab and raising the lock of the respective connectors. Return the lock on the vehicle white 34-pin connector and remove the cover by sliding it.

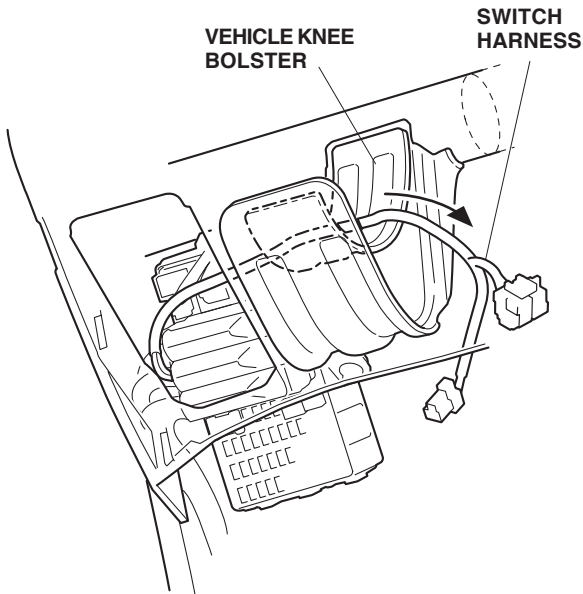


32. Insert the white/red and blue terminals from the switch harness into the vehicle white 34-pin connector.

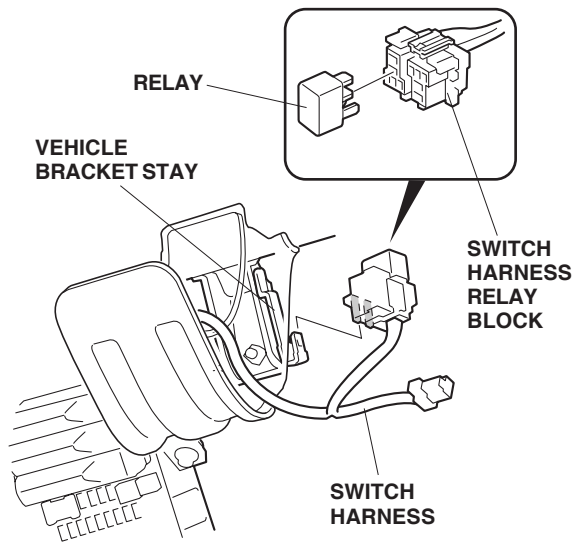


33. Reinstall the vehicle connectors.

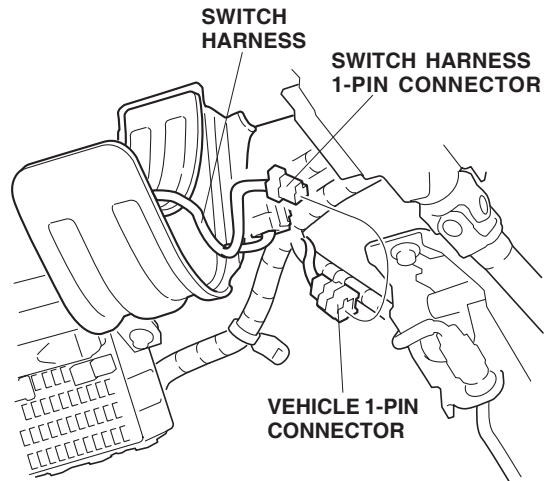
34. Route the switch harness above the vehicle knee bolster.



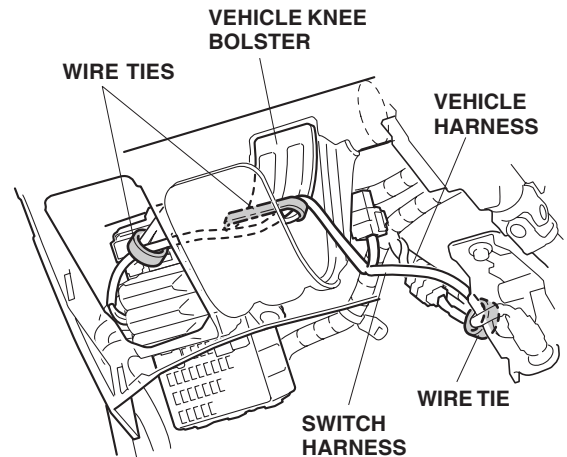
35. Plug the relay into the switch harness relay block, then slide the relay block onto the vehicle bracket stay.



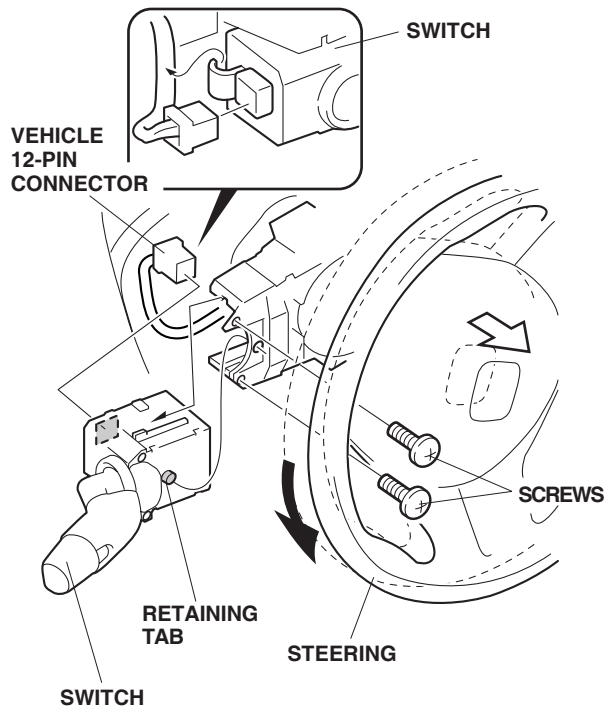
36. Locate the 1-pin connector blue-taped to the vehicle harness. Plug the 1-pin connector into the 1-pin connector of the switch harness.



37. Secure the switch harness to the vehicle harness and vehicle knee bolster with three wire ties in the areas shown.

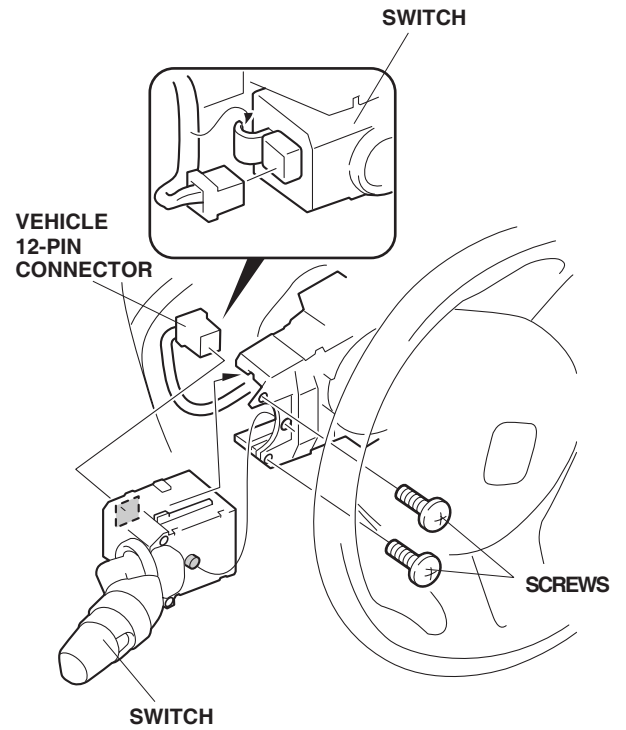


38. Lower the tilt lever and pull the steering wheel toward you.
39. Turn the steering wheel 90° counterclockwise.

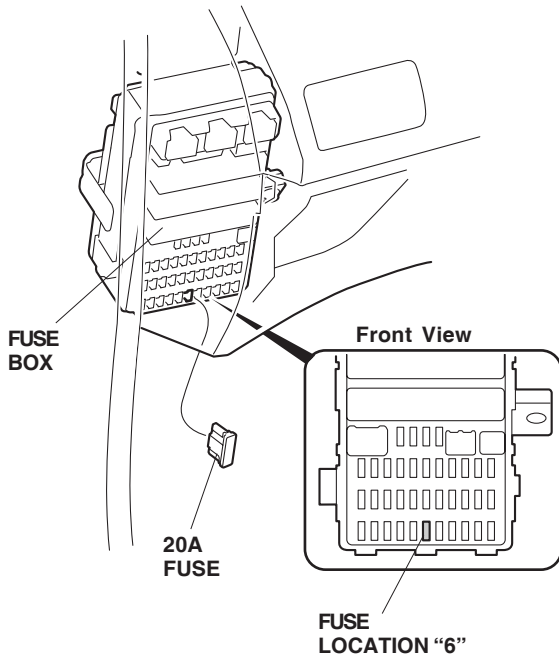


40. Remove the vehicle 12-pin connector from the switch. Remove the two screws from the switch. While pushing the retaining tab, remove the switch.

41. Install the new switch provided where the old switch was removed with two screws. Then plug the vehicle 12-pin connector to the new switch. Replace the vehicle harness. Do not install the switch while holding the lever.



42. Install the 20A fuse into the fuse box in the location shown.



43. Check that all wire harnesses are routed properly and all connectors are plugged in.
44. Reinstall all removed parts. Do not reinstall the outboard bumper bolt at this time. Check that all clips and fasteners are installed securely.
45. Reconnect the negative cable to the battery.

## USE AND CARE

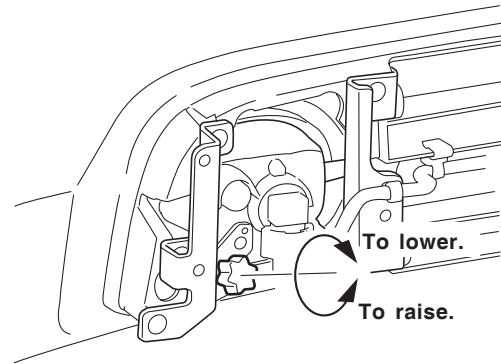
### HOW TO OPERATE FOG LIGHTS

- Turn the light switch to the "D" position (headlights on low beam).
- Turn the fog light switch (indicator is on).

NOTE: The fog light lenses can cloud when the outside temperature is cold; this is normal and should go away in warm weather. If the fog light does not come on, check the fuse and all the connectors, including the ground cable.

## FOG LIGHT AIMING ADJUSTMENT

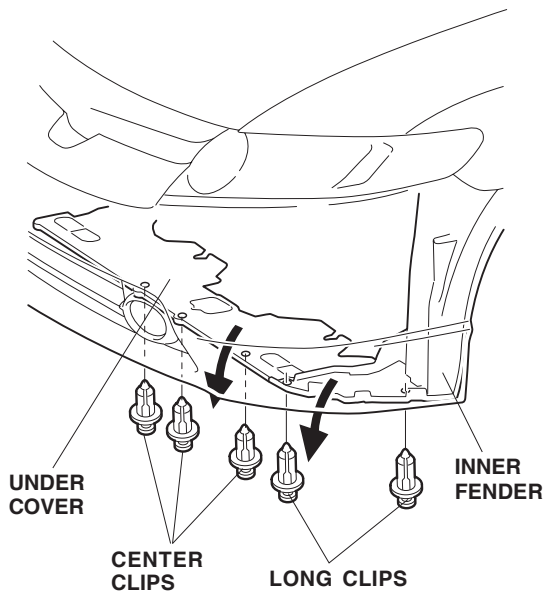
46. Adjust the fog light:
- Pull down the inner fender and under cover.
  - Adjust the aiming according to local laws and regulations.
  - To adjust, turn the aiming adjustment knob in or out until the correct aiming is obtained.



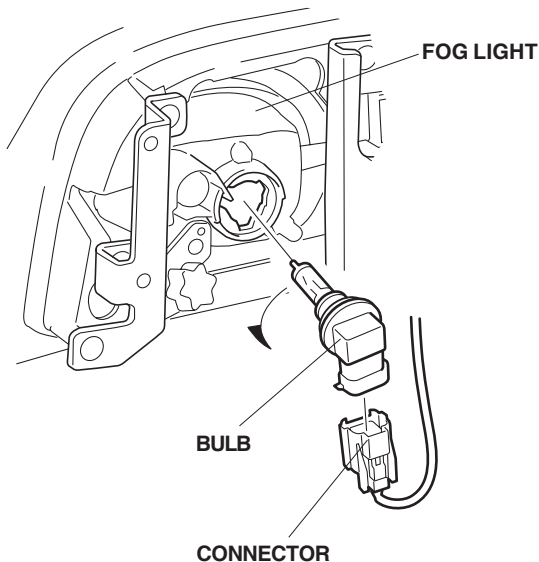
47. Reset the clock, and reset the radio station presets.
48. Reinstall the four outboard bumper bolts.

## BULB REPLACEMENT

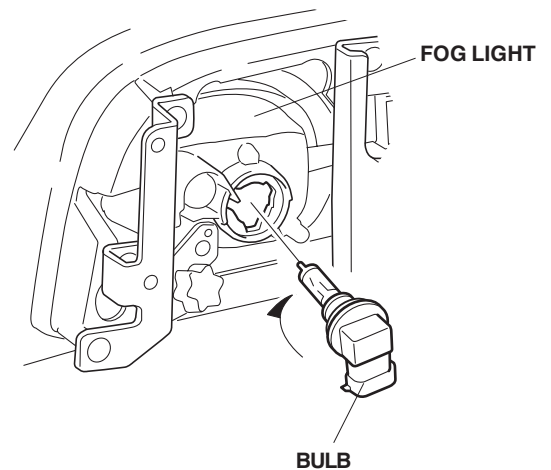
1. Remove the two long clips and three center clips from the bottom of the front bumper, and pull down the inner fender and under cover.



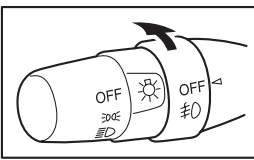
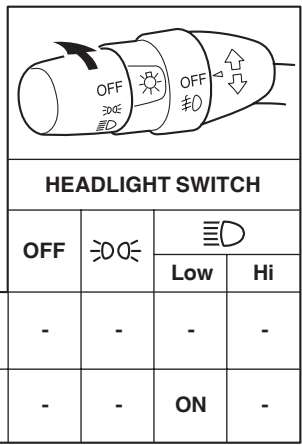
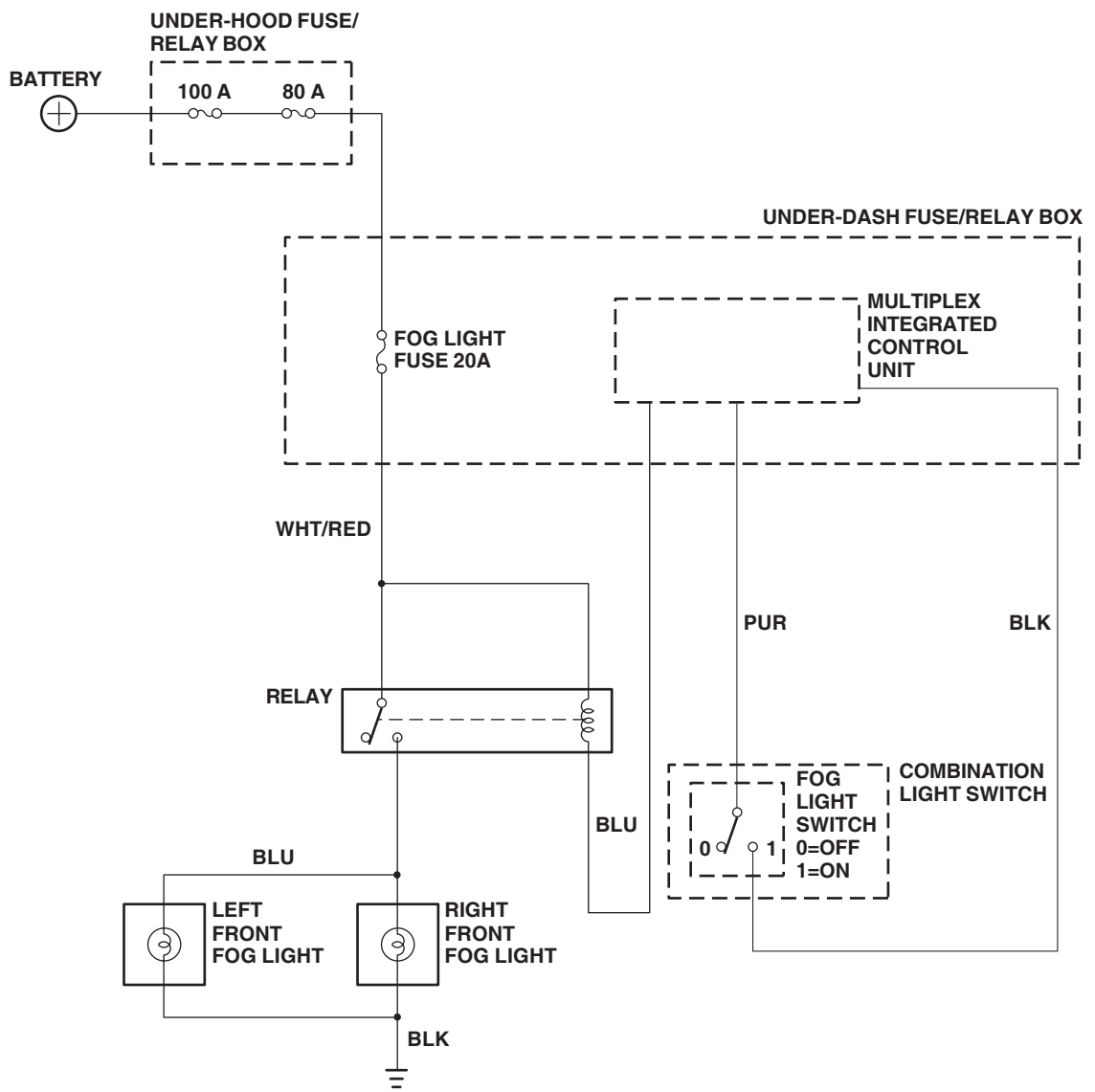
2. Unplug the connector from the fog light.
3. Remove the bulb.



4. Install the new bulb and socket to the fog light.
  - Use only a genuine Honda halogen light bulb of specified wattage.  
Rating: 12V 55W H11 Halogen Light Bulb P/N 33165-S5A-003
  - Do not touch the bulb. Oily or greasy substances on the bulb can shorten its service life due to the heat produced when the bulb is turned on. If the bulb is accidentally touched, wipe it clean with a soft cloth that has been dampened with a denatured alcohol or a mild detergent solution.
  - Align the tab on the fog light with the cutout in the bulb when installing the new bulb. If not aligned, the fog light may annoy oncoming drivers.



5. Reinstall the removed parts in the reverse order of removal.
  - Check that the wire harnesses are not pinched.
  - Make sure to tighten the self-tapping screw and bolts securely.
6. Check the operation of the fog light; adjust the aiming if necessary.



FOG LIGHT SWITCH	OFF	-	-	-	-
	ON	-	-	ON	-

BLK	BLACK	BRN	BROWN
YEL	YELLOW	ORN	ORANGE
BLU	BLUE	PUR	PURPLE
GRN	GREEN	PNK	PINK
RED	RED	GRY	GRAY
WHT	WHITE	LT GRN	LIGHT GREEN
LT BLU	LIGHT BLUE		