



INSTALLATION INSTRUCTIONS

Accessory

**ROOF RACK
P/N 08L02-SCV-100B**

Application

2010 ELEMENT (SC)

Publications No.

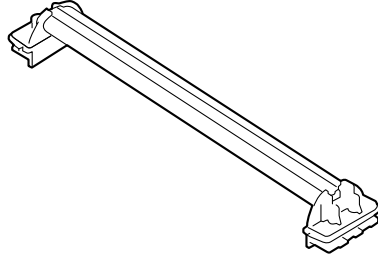
All 42708

Issue Date

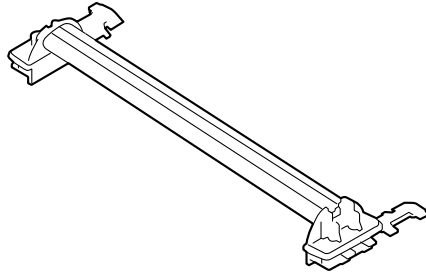
SEPT 2009

PARTS LIST

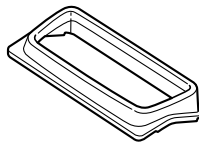
Front roof rack



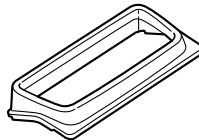
Rear roof rack



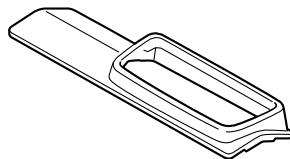
Right front skirt (Not used)



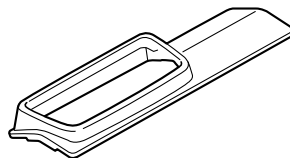
Left front skirt (Not used)



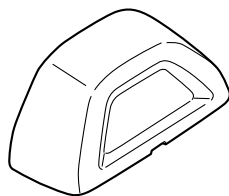
Right rear skirt (Not used)



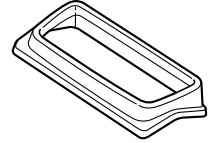
Left rear skirt (Not used)



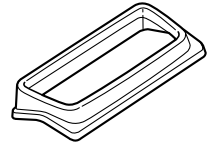
4 Covers



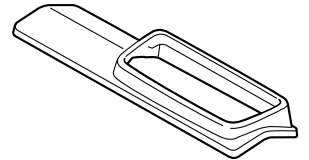
Right front skirt (For ELEMENT SC)
(08L02-SCV-1000-B3)



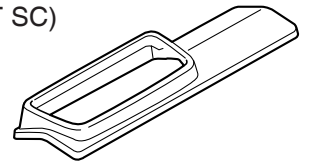
Left front skirt (For ELEMENT SC)
(08L02-SCV-1000-B4)



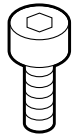
Right rear skirt (For ELEMENT SC)
(08L02-SCV-1000-B5)



Left rear skirt (For ELEMENT SC)
(08L02-SCV-1000-B6)



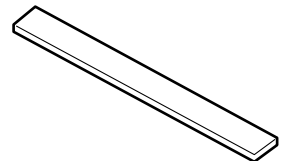
12 Socket bolts



12 Plain washers



4 Rubber seals



TOOLS REQUIRED

Flat-tip screwdriver

5 mm Hex wrench

Isopropyl alcohol

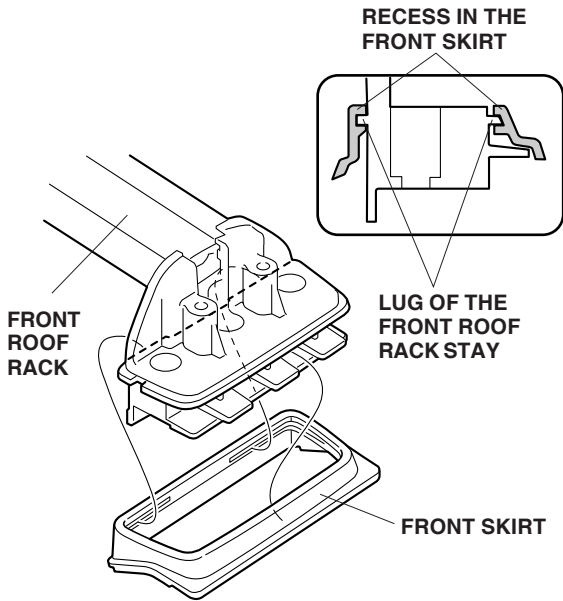
Shop towel

T-25 TORX wrench

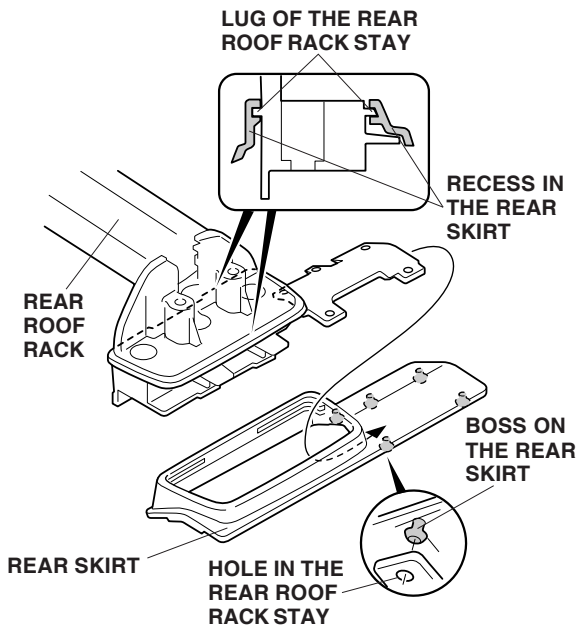
INSTALLATION

NOTE: Be careful not to damage the roof and other finished surfaces of the body when installing the roof rack.

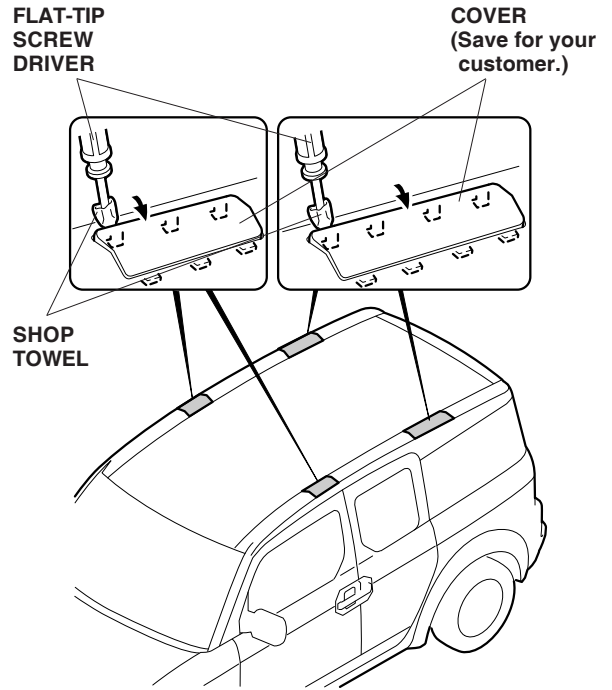
1. Install the front skirt on the front roof rack with the SC P/N on the inside. Attach the recess in the front skirt with the lug of the roof rack stay.



2. Install the rear skirt on the rear roof rack with the SC P/N on the inside.
 - Attach the recess in the rear skirt with the lug of the roof rack stay.
 - Insert the five bosses on the rear skirt into the holes in the rear roof rack stay.

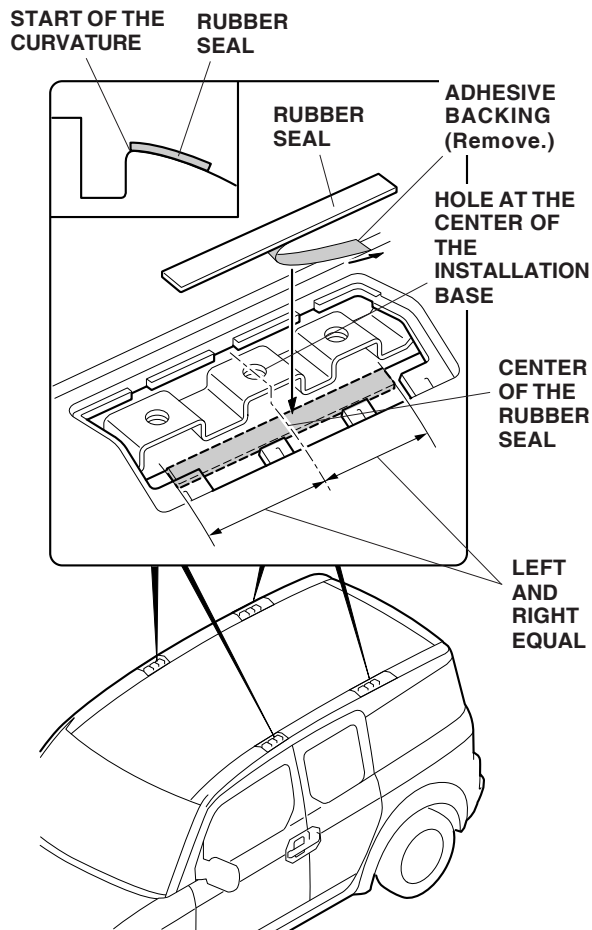


3. Using a flat-tip screwdriver wrapped with a shop towel, remove the two front covers and two rear covers from the roof trim.
4. Using isopropyl alcohol on a shop towel, clean the area where the rubber seal will be attached.



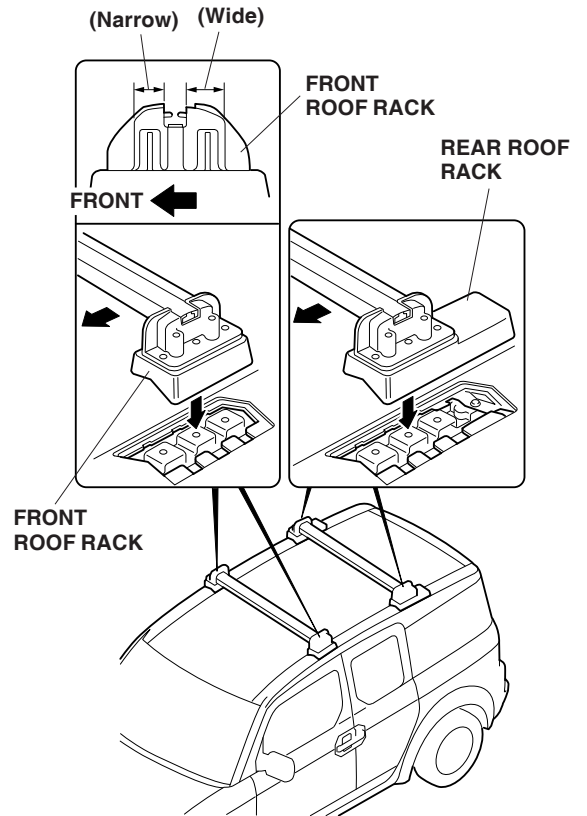
5. Remove the adhesive backing from the back of the rubber seal and attach the rubber seal on the inside of the roof trim as shown.

- When attaching the rubber seal, align the hole at the center of the rubber seal with the hole at the center of the roof rack installation base.
- Attach the rubber seal with the ends at beginning of the curvature as shown.

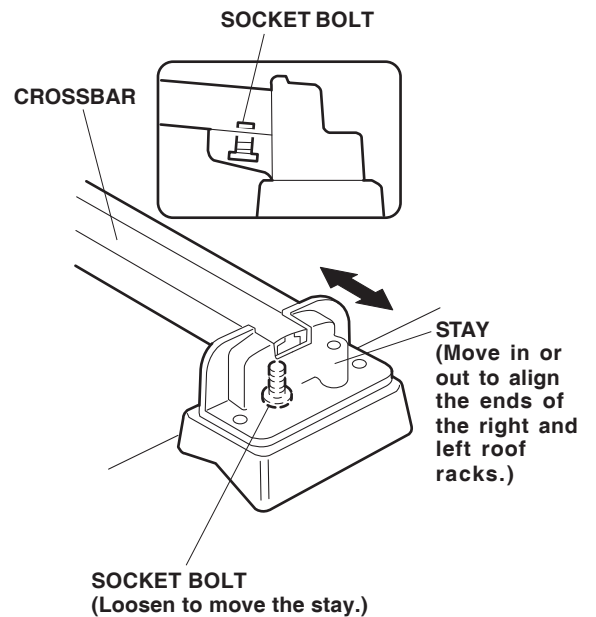


6. Attach the rubber seals to the remaining three places in the same manner.

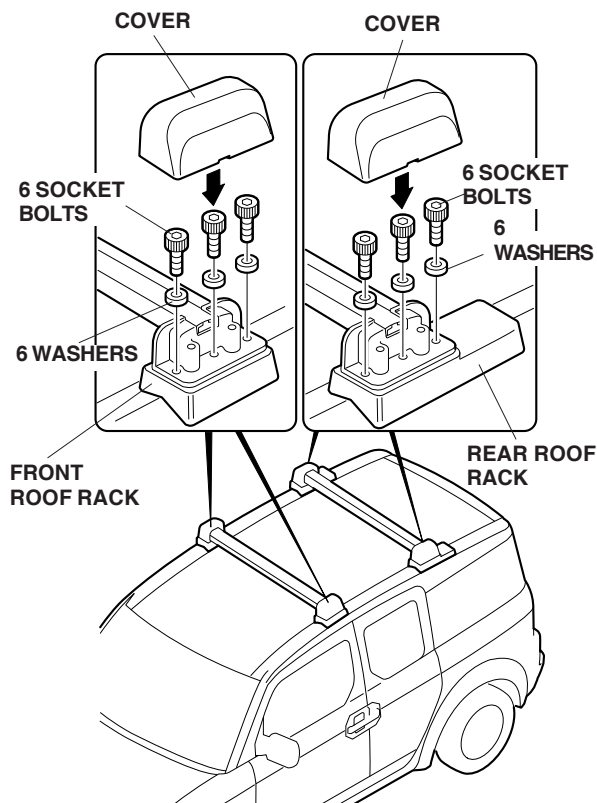
7. Position the front and rear roof racks on the roof in the proper locations as shown.



8. If the ends of the right and left roof racks are not aligned, adjust them by loosening the crossbar socket bolts and moving the stays in or out as necessary.



- Temporarily tighten the 12 socket bolts and 12 washers.



- Tighten the socket bolts (if loosened in step 9). Torque the socket bolts to 9-10 N·m (6-7 lb-ft).
- Tighten the socket bolts temporarily installed in step 10. Torque the bolts to 10 N·m (7 lb-ft).
- Install the four end covers.
- Place the covers (removed in step 4) in the glove box for your customer in the event the roof rack is removed.

When either the bicycle attachment (optional part) or the ski/snowboard attachment (optional part) is installed on the roof racks, refer to the installation instructions for the attachment kit you are to install. Cut the rubber molding of each roof rack and install the pieces of the rubber molding you just cut between the attachment kits according to the installation instructions. This will reduce wind noise while driving.

Installing the Bicycle Attachment Installing the Ski/Snowboard Attachment

