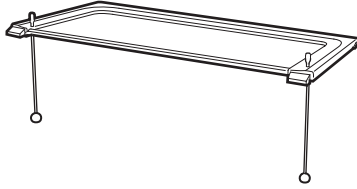


PARTS LIST

Cargo cover

P/N 84410-TP6-A03ZA



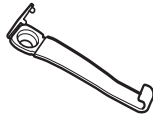
Tailgate liner

P/N 84400-TP6-A03ZA



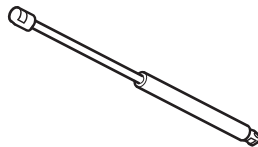
2 Hooks

P/N 84402-TP6-A01ZA



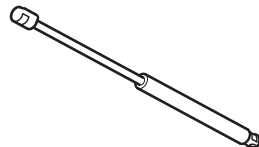
Tailgate left support strut

P/N 74870-TP6-A01

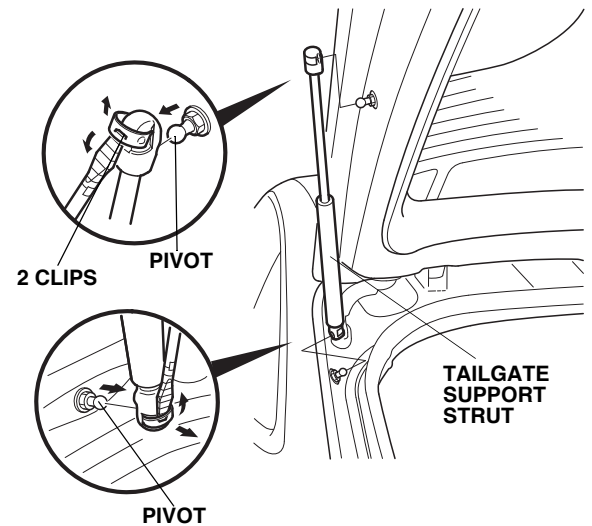


Tailgate right support strut

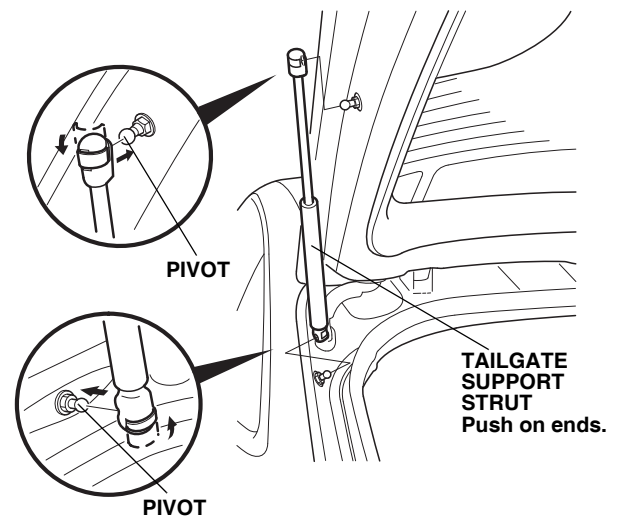
P/N 74820-TP6-A01

**INSTALLATION**

1. With the help of an assistant, replace the tailgate support struts with the new ones from the kit.
 - Using a screwdriver wrapped with tape, pry the support strut upper clip outward enough to remove the end of the strut from the pivot. Do the same to remove the strut from the bottom pivot.

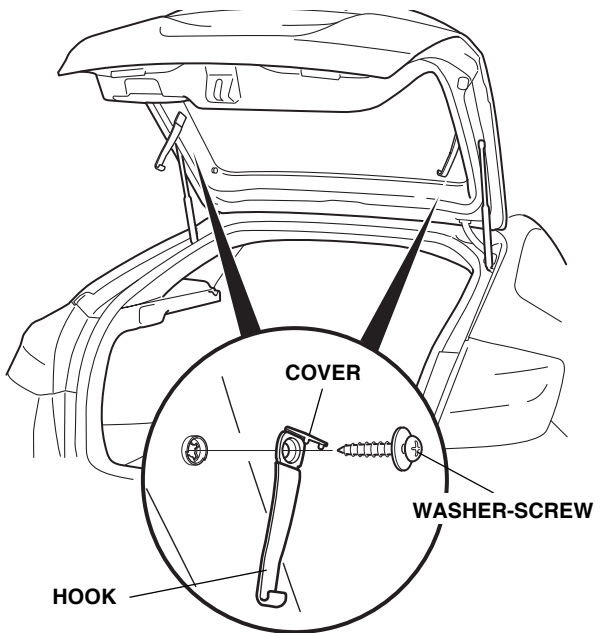


- Set the ends of the new tailgate support strut on the pivots, then push on the ends to attach the strut to the pivots.

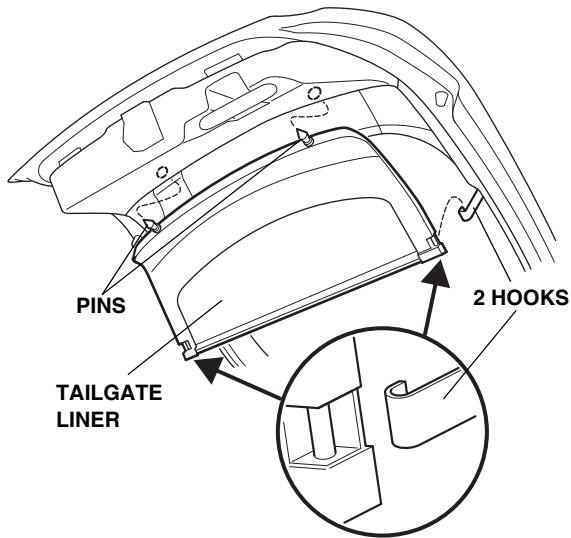


- Repeat this procedure to install the tailgate support strut on the other side of the vehicle.

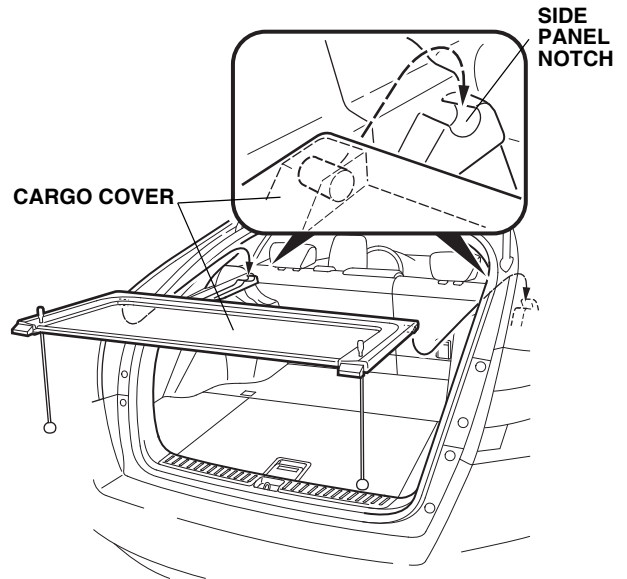
2. Remove the washer-screw from the tailgate left panel. Open the cover on the hook, then use the washer-screw to install the hook to the tailgate panel. Repeat this step to install a hook on the right side.



3. Snap the tailgate liner onto the hooks. Align the pins on the tailgate liner with the holes in the tailgate, then push on the liner to seat the pins.



4. Slide the rods on the cargo cover into the notches in the cargo area side panels.



5. Install the cords onto the pins on the tailgate.

